

---

# New 104W DC Brushless driver & motor kit

## NBD200 & DM42BLS04-10



### Parameter of BLDC Motor

3Phase, U=yellow V=green W=blue

Speed: 10800 RPM

Torque: 0.11N.m

Max power: 104W

Size of Motor: 42\*100mm

### Parameter of Driver NBD200

CW & CCW Control

Speed control mode: 0-5V Analog mode and PWM mode

Supply voltage: 24V

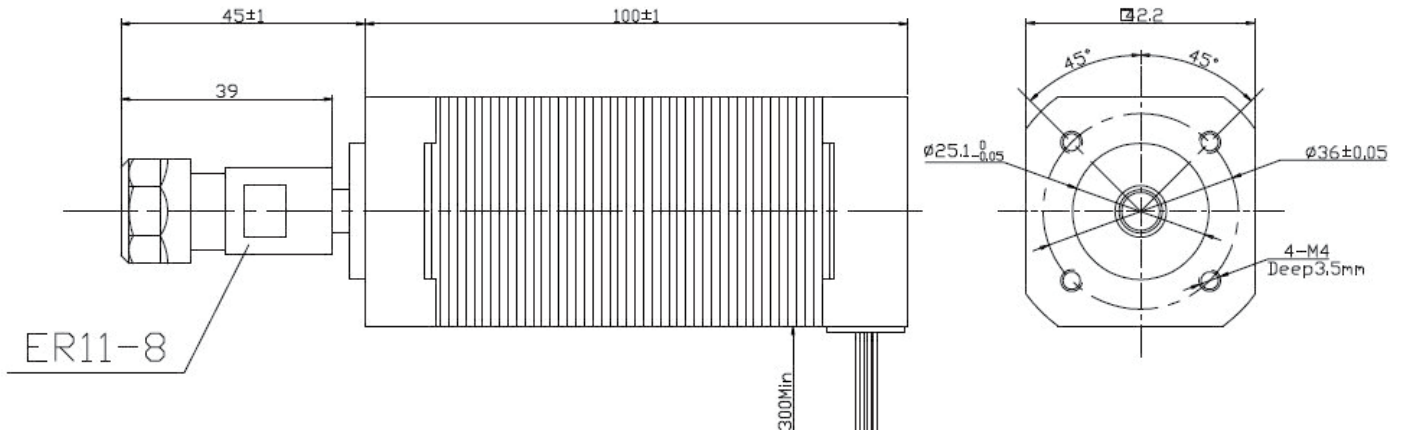
Supply current: Minimum 5A

---

# New 104W DC Brushless driver & motor kit

## NBD200 & DM42BLS04-10

### Size



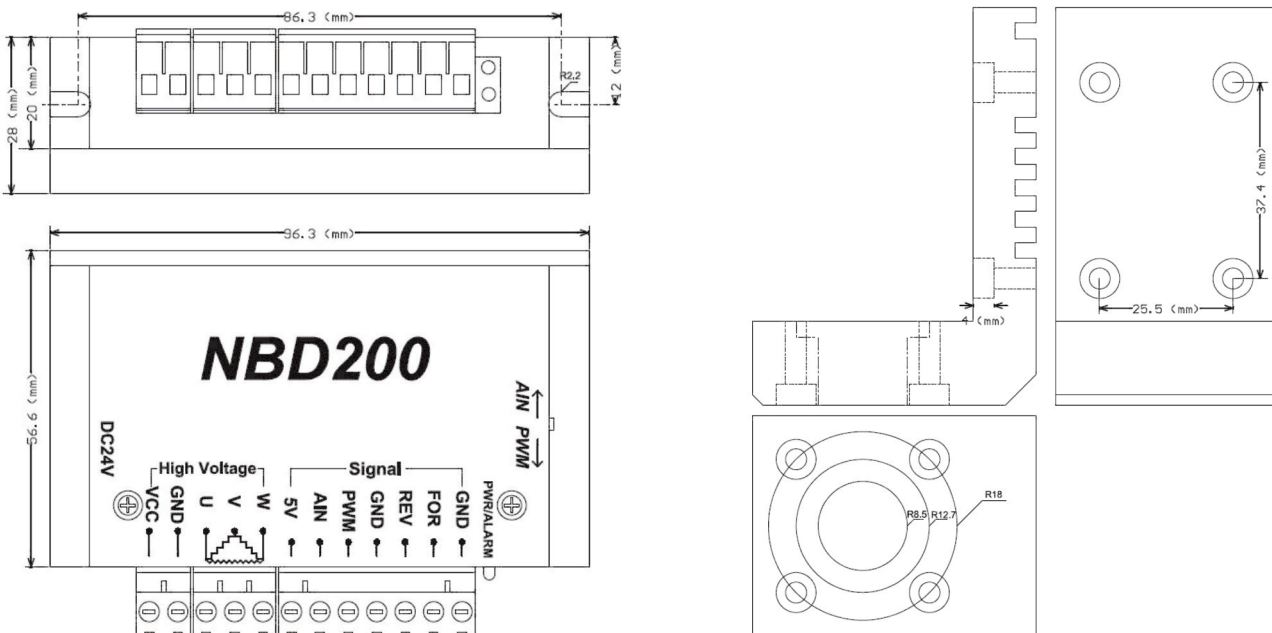
ROTATION: CW VIEWED FROM OUTPUT SHAFT

MANUFACTUER MODEL	JK42BLS04-10-X001
NUMBER OF POLES	8
PHASE TO PHASERESISTANCE	0.12 OHMS
NOMINAL VOLTAGE	24 VDC
NO LOAD SPEED	10800±10% RPM
NO LOAD CURRENT	1.35 Amps Max.
RATED TORQUE	0.11 N-m
RATED SPEED	9000±10% RPM
OUTPUT POWER	104 W
BACK EMF CONSTANT	2.2 V/kRPM
TORQUE CONSTANT	0.021 N-m/A
INSULATION CLASS	B

Default support tool  $\phi 3.175$

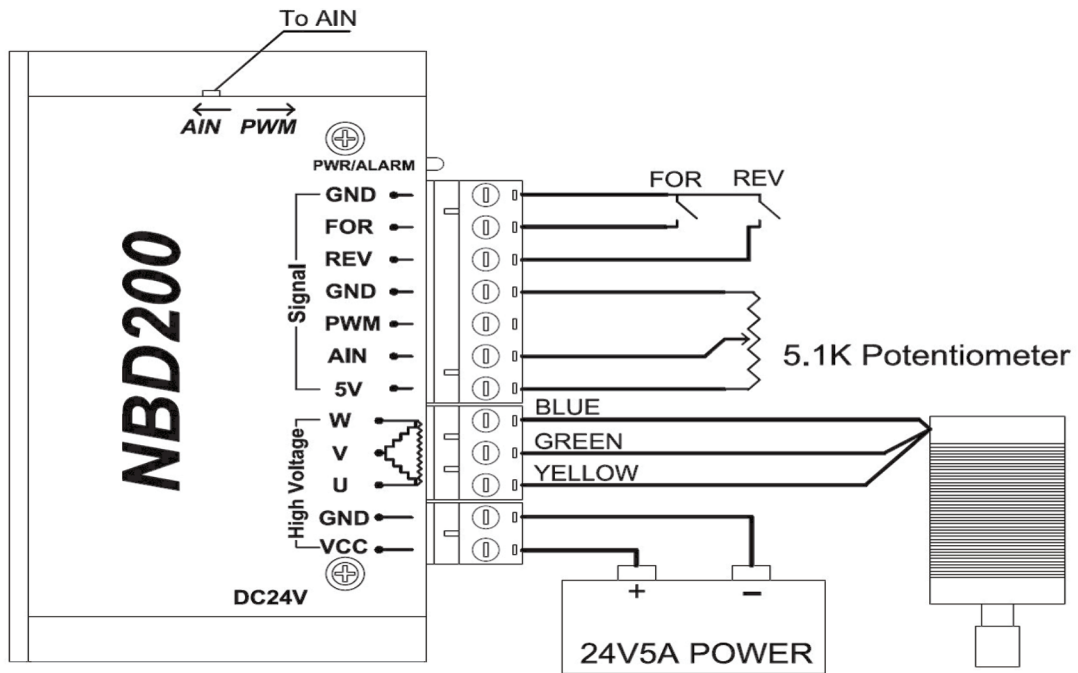
PHASE U	YEL	UL1007 20 AWG
PHASE V	GRE	
PHASE W	BLU	

### 3 Size

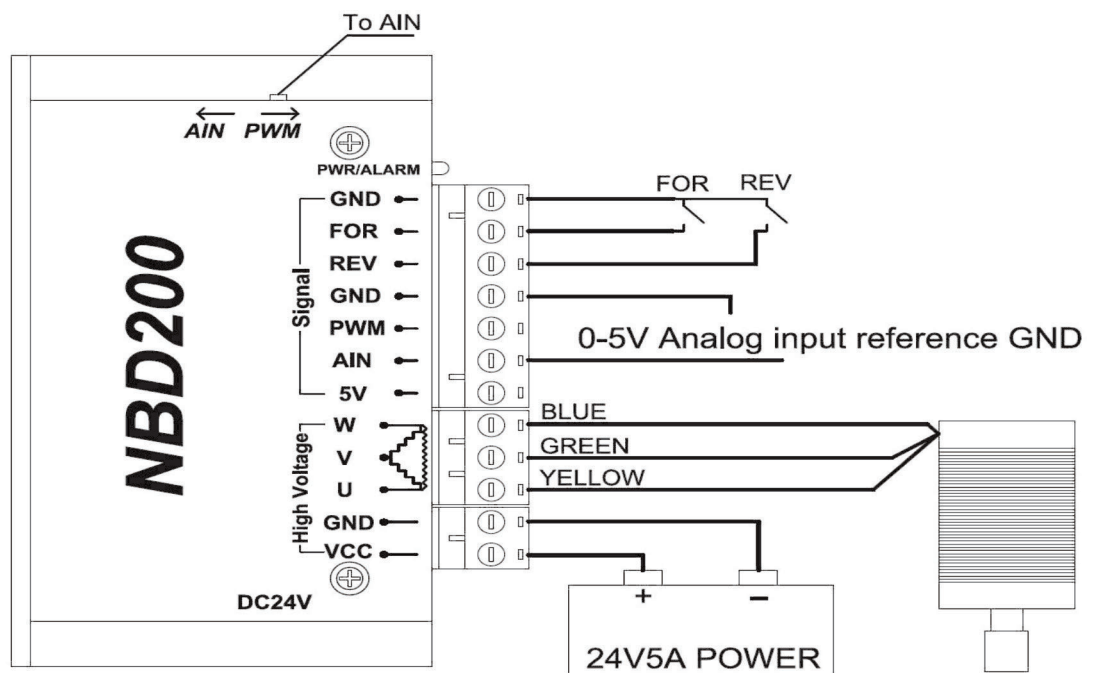


# New 104W DC Brushless driver & motor kit

NBD200 & DM42BLS04-10



## Analog input



# New 104W DC Brushless driver & motor kit

NBD200 & DM42BLS04-10

