
New 104W DC Brushless driver & motor kit

NBD200 & DM42BLS04-10



Parameter of BLDC Motor

3Phase, U=yellow V=green W=blue

Speed: 10800 RPM

Torque: 0.11N.m

Max power: 104W

Size of Motor: 42*100mm

Parameter of Driver NBD200

CW & CCW Control

Speed control mode: 0-5V Analog mode and PWM mode

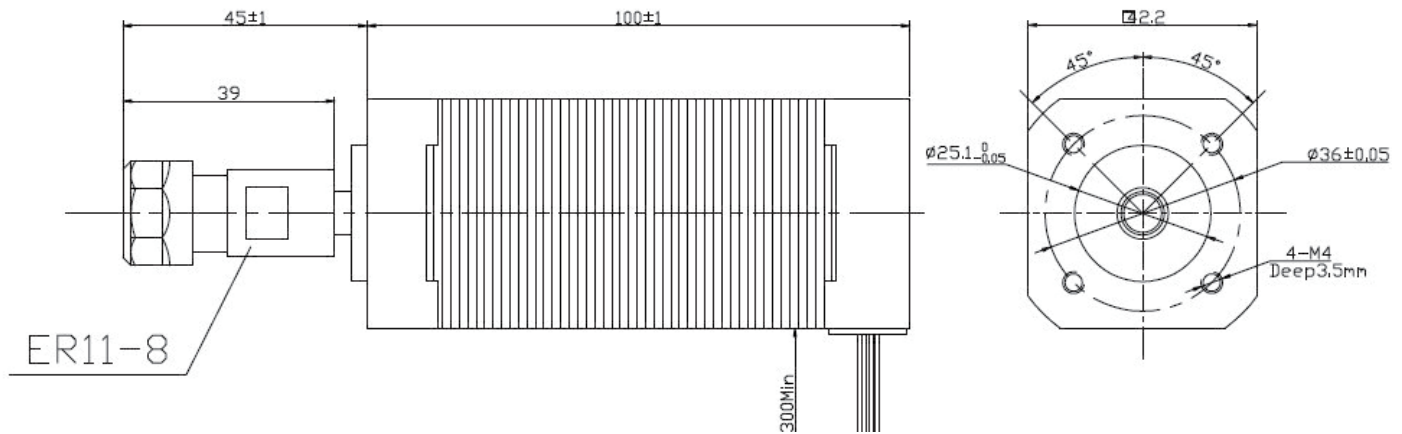
Supply voltage: 24V

Supply current: Minimum 5A

New 104W DC Brushless driver & motor kit

NBD200 & DM42BLS04-10

2 Size of Motor



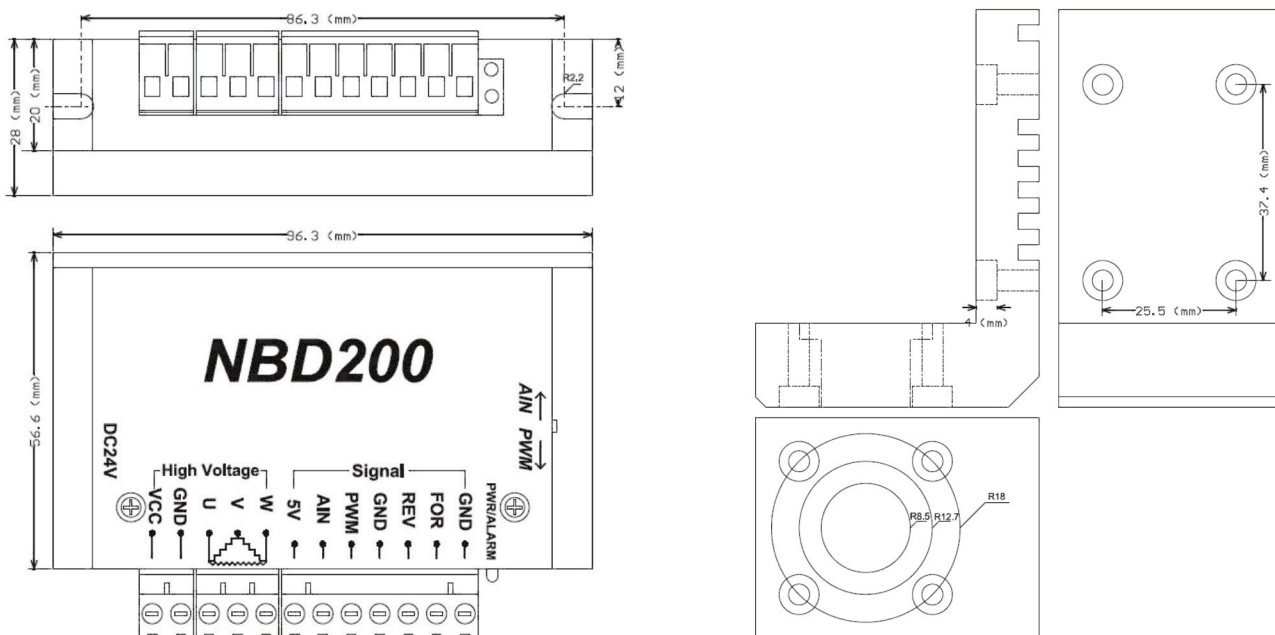
ROTATION: CW VIEWED FROM OUTPUT SHAFT

MANUFACTUER MODEL	JK42BLS04-10-X001
NUMBER OF POLES	8
PHASE TO PHASERESISTANCE	0.12 OHMS
NOMINAL VOLTAGE	24 VDC
NO LOAD SPEED	10800±10% RPM
NO LOAD CURRENT	1.35 Amps Max.
RATED TORQUE	0.11 N-m
RATED SPEED	9000±10% RPM
OUTPUT POWER	104 W
BACK EMF CONSTANT	2.2 V/kRPM
TORQUE CONSTANT	0.021 N-m/A
INSULATION CLASS	B

Default support tool $\phi 3.175$

PHASE U	YEL	UL1007 20 AWG
PHASE V	GRE	
PHASE W	BLU	

3 Size NBD200 & Motor Bracket

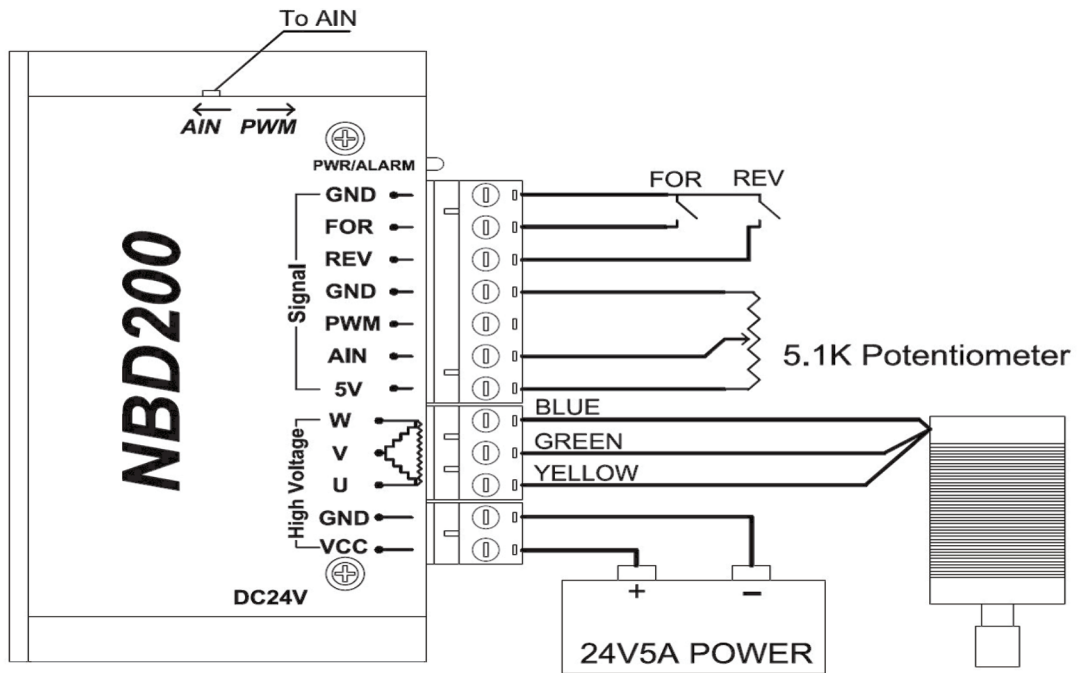


New 104W DC Brushless driver & motor kit

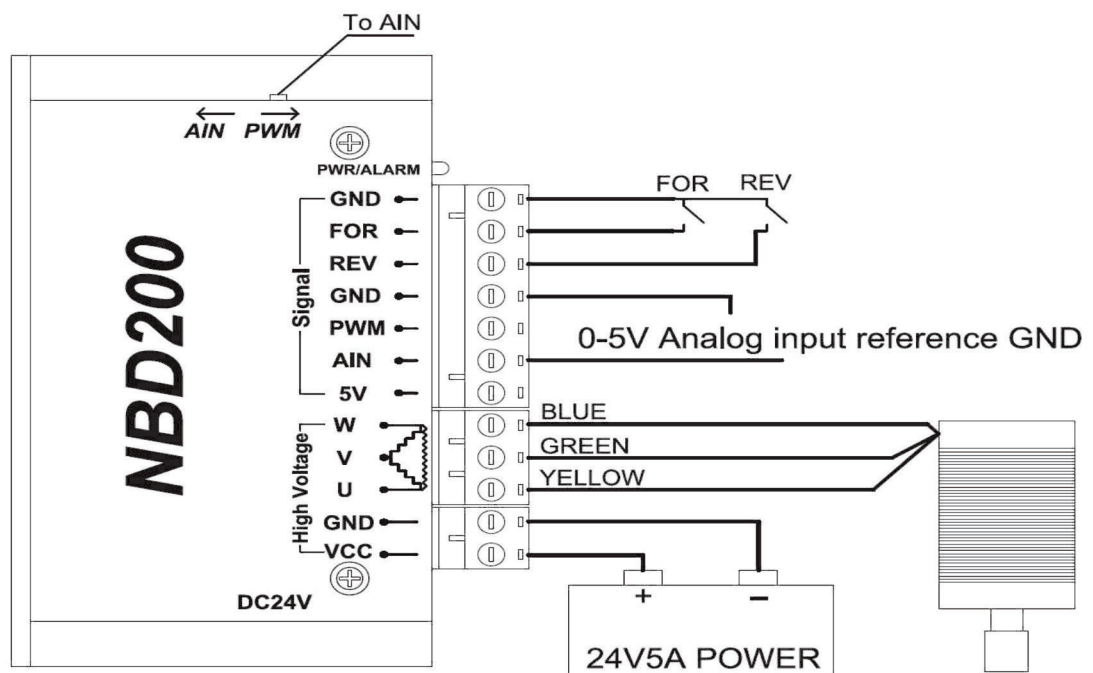
NBD200 & DM42BLS04-10

4 Wire method

4.1 AIN mode with Potentiometer



4.2 AIN mode with Analog input



New 104W DC Brushless driver & motor kit

NBD200 & DM42BLS04-10

4.3 PWM mode

